



VECTRON
INTERNATIONAL
A DOVER COMPANY

Timing Modules

Helping Customers
Innovate, Improve & Grow



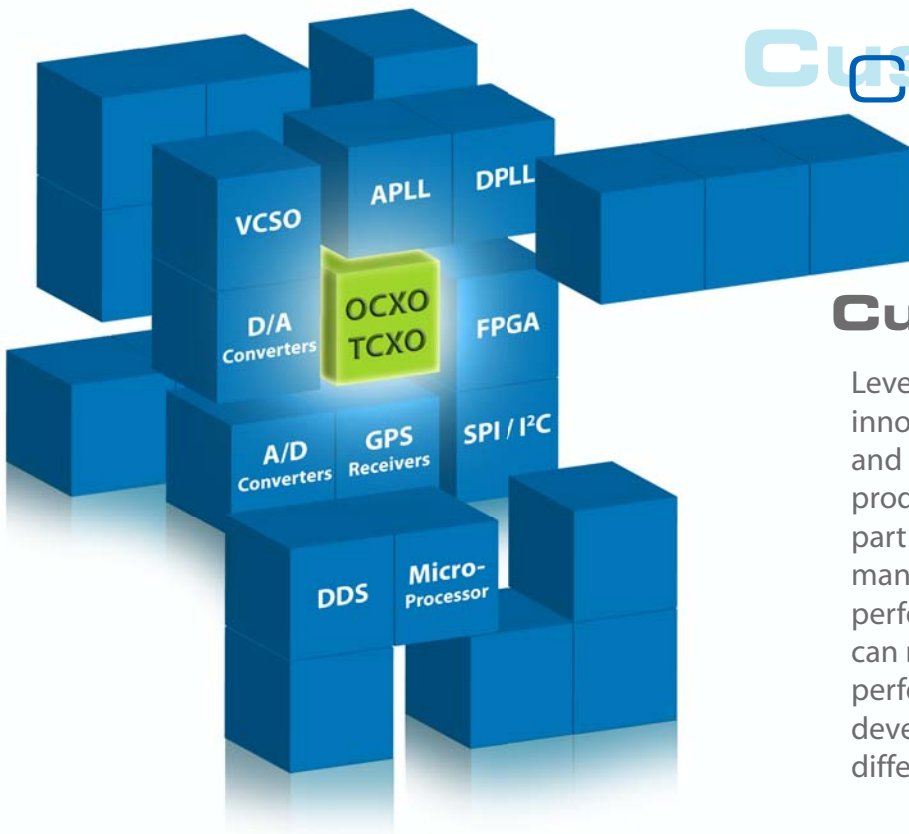
Complete
Fully Tested

Solution

To Your
Requirements

www.vectron.com

Customized



Customized Solution

Leveraging on our Core Technology and future innovations we can align our products of today and tomorrow with your current and future product offerings. Today we can help you reduce part count, assembly cost, test time and time to manufacture without sacrificing quality or performance. Tomorrow through innovations we can reduce your footprint, improve overall performance and reduce cost. Together we can develop leading edge products and help you differentiate in the markets you serve.

Flexibility

Vectron's Heritage

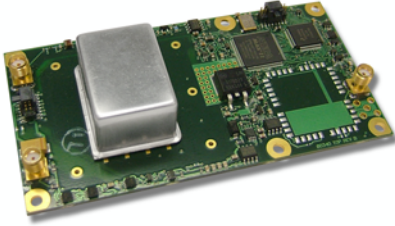
Since the early 1930's quartz crystals have provided the heartbeat of Communication equipment and continue to be the pulse of electronic equipment today. The evolution of quartz based products has been a true innovation in the telecommunication industry and has allowed network architectures unprecedented levels of quality and sophistication. Technological advances in crystals and packaging have allowed demanding applications to continue to be robust with expectations of the highest levels of performance. Vectron International has supplied crystal based products since the 1930's and its innovative culture has resulted in cost savings, smaller footprints and performance improvements for its customers and the markets they serve.

As the market leader in Oven Controlled Crystal Oscillators (OCXOs) we are committed to offering the best performing devices to meet the needs of our customers. The core of our Module solutions is our precision oscillators where decades of innovation in performance, tighter stabilities and cost reductions has enabled our customers to offer leading edge solutions.

Intelligent Subsystems



MD-010 Disciplined Oscillator Module

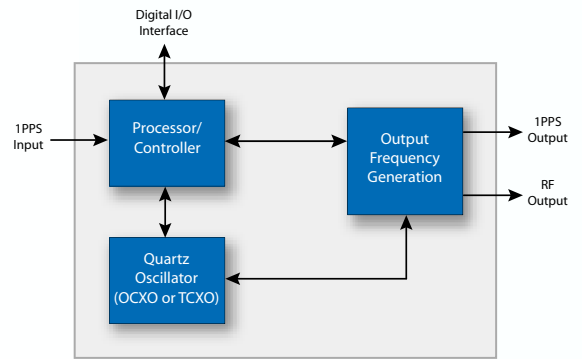


Features

- 1pps and RF (10MHz) Output
- 1pps or RF (10MHz) Input
- Holdover up to 8uSec, 24hours
- 12v Supply Standard
- Standard Size: 60 x 114.3 x 29.4 mm
- Customized solutions available

Applications

- 3G Basestations (WCDMA, CDMA2000)
- WiMax Basestations
- Digital Video Broadcast
- General Timing and Instrumentation



Evaluation Kit for MD-010/MD-011 Series



An evaluation kit is available for the C6300 series modules. This kit provides for easy hookup and monitoring of the C6300 series modules. *(The C6300 Series Module is customized per customer and application)*

Included with the kit

- C6300 Series Module
- Protective Housing
- Direct RS-232 hook-up (DB9 Connector for rapid prototyping)
- LCD Display
- Status LED's
- GPS Antenna (w/GPS option)
- Vectron Module Monitor Program (MS Windows®)
- Power Supply



"Rubidium Replacement" Module

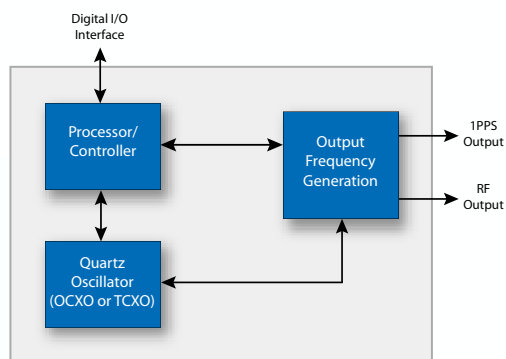


Features

- 1pps and RF (10MHz) Output
- Holdover up to 8uSec, 24hours
- 12v Supply Standard
- Standard Size: 102 x 139 x 25.4 mm
- Customized solutions available

Applications

- 3G Basestations (WCDMA, CDMA2000)
- Digital Video Broadcast
- General Timing and Instrumentation



DOCSIS Module

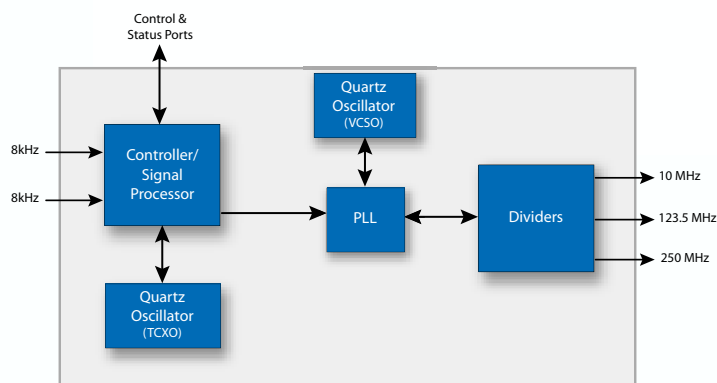


Features

- Accepts 2 reference inputs (8kHz/10kHz)
- Supports Free-run, Holdover, and Locked Modes
- 3 output frequencies (10MHz, 123.5MHz, 250MHz)
- 3.3v Supply Standard
- SMT, Size: 38 x 38 x 8 mm
- Customized solutions available

Applications

- Cable Modem Termination Systems (CMTS)



C6998A1-00018

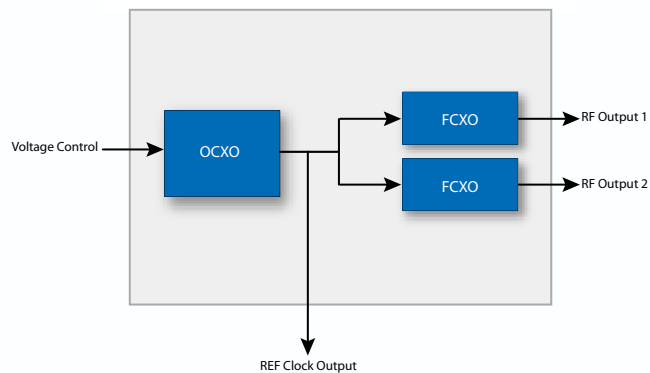


Features

- 3.3V, 5V Supply Standard
- Low Profile <17mm
- Standard Size: 60 x 50 x 17 mm
- Customized solutions available

Applications

- W-CDMA
- WiMAX
- Test / Measurement



Empowering Customers Innovate, Improve & Grow

World-Wide Locations

United States

- **VI Hudson, Corporate Headquarters**
267 Lowell Road
Hudson, NH 03051
Tel: 1.888.328.7661
Fax: 1.888.329.8328
- **VI Mount Holly Springs**
100 Watts Street
Mount Holly Springs, PA 17065
Tel: 1.717.486.3411
Fax: 1.717.486.5920
- **VI Cincinnati**
4914 Gray Road
Cincinnati, OH 45232
Tel: 1.513.542.5555
Fax: 1.513.542.5146
- **VI Neckarbischofsheim**
Landstrasse, D-74924
Neckarbischofsheim, Germany
Tel: +49 (0) 7268.8010
Fax: +49 (0) 7268.801281
- **VI Teltow**
Potsdamer Strasse 18
D-14513 Teltow, Germany
Tel: +49 (0) 3328.4784.17
Fax: +49 (0) 3328.4784.30
- **VI Shanghai**
1589 Century Avenue, the 19th Floor
Chamtime International Financial Center
Shanghai, China
Tel: +86 21 60812888
Fax: +86 21 61633598
- **VI Singapore**
56 Serangoon North Avenue 4, #06-01
Singapore, 555851
Tel: +65 65551926
Fax: +65 65554377



Helping Customers Innovate, Improve & Grow