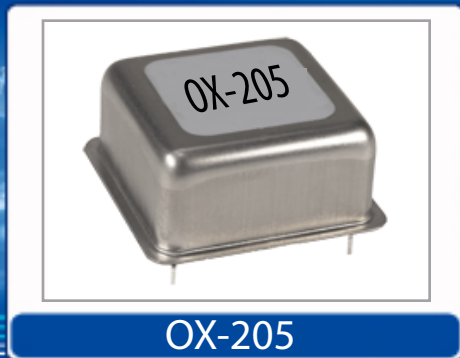


Helping Customers Innovate, Improve & Grow



The OX-205 is an Ultra Low Phase Noise Ovenized Crystal Oscillator with a noise floor as low as -176 dBc/Hz in a compact 1" x 1" enclosure. Designed for applications that demand extremely low noise sources, including the reference oscillator for a phase-locked loop in the microwave spectrum. Custom frequencies available upon request.

Features

- -135 dBc/ Hz at 100 Hz offset
- -176 dBc/Hz at 100 kHz offset
- 100 MHz standard, other frequencies available
- Compact 1" x 1" hermetic enclosure

Applications

- Military Radar
- Instrumentation and Test Equipment
- Synthesizers
- Military Communication Equipment
- DRO reference
- Satellite Communications

Performance Specifications

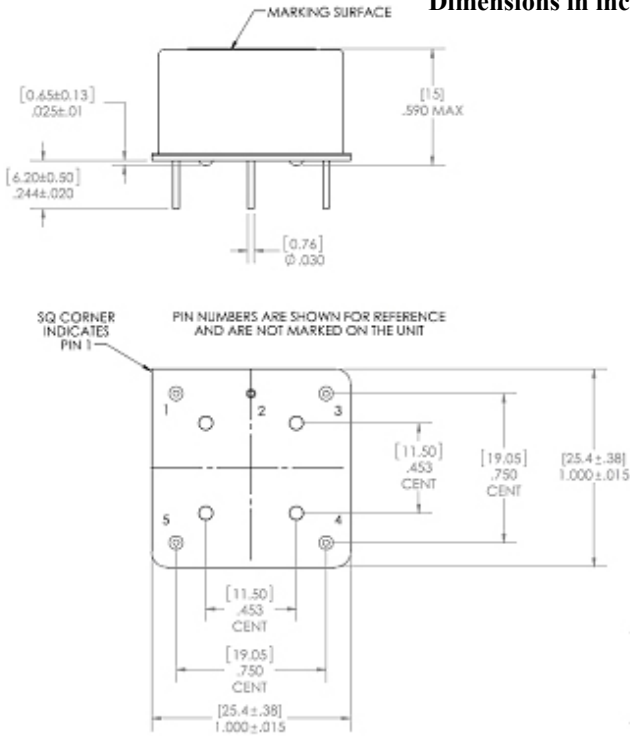
Phase Noise Ordering Codes at 100 MHz					
Frequency Offset (Hz)	A	B	C	Unit	Condition
10	-100	-102	-105	dBc/Hz	Maximum values All EFC settings Static Environment
100	-130	-132	-135	dBc/Hz	
1000	-150	-156	-159	dBc/Hz	
10,000	-165	-168	-170	dBc/Hz	
100,000	-175	-175	-176	dBc/Hz	
Frequency Stabilities at 100 MHz					
Parameter	Min	Typical	Max	Unit	Condition
vs. operating temperature range	-100		+100	ppb	-20 to +70°C (referenced to +25°C)
	-200		+200	ppb	-40 to +85°C (referenced to +25°C)
vs. Initial Tolerance	-500		+500	ppb	at time of shipment and only applies to ordering codes with no EFC tuning
Allan Deviation			1	E-11	0.1 to 1 second tau
vs. supply voltage change	-10		+10	ppb	±5% change
vs. load change	-10		+10	ppb	5% change in load
vs. aging / 1 day	-5		+5	ppb	after 30 days of operation
vs. aging / 1 st year	-200		+200	ppb	after 30 days of operation
vs. aging / 10 year	-1.5		+1.5	ppm	after 30 days of operation
Warm up time			5	minutes	to ±100 ppb of 2-hour frequency @+25°C

Performance Specifications

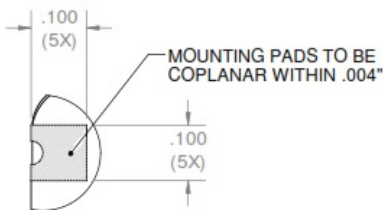
Supply Voltage (Vs)					
Parameter	Min	Typical	Max	Unit	Condition
Supply Voltage	11.4	12.0	12.6	VDC	
Power Consumption			4.5 1.8	Watts Watts	during warm-up steady state @ +25°C
Reference Voltage	9.8	10	10.2	VDC	
RF Output					
Signal	Sinewave				
Load		50		Ohms	
Output Power	+9.0		+13.0	dBm	50 Ohm load
Harmonics			-30	dBc	50 Ohm load
Spurious			-80	dBc	50 Ohm load
Frequency Tuning (EFC)					
Tuning Range	±1.5		±3.0	ppm	
Linearity			20	%	
Tuning Slope	Positive				
Control Voltage Range	0		10	VDC	
Input Impedance		20		kOhm	
Modulation Bandwidth	150			Hz	
Additional Parameters					
g- Sensitivity			1	ppb/g	worst axis
Weight			20	grams	
Absolute Maximum Ratings					
Parameter	Min	Typical	Max	Unit	Condition
Supply Voltage (Vs)			15	V	
Output Load			25	Ohms	
Operable Temperature Range	-55		+95	°C	Device will not sustain damage when operated at temperatures between the operating range and the operable range, but will not be specification compliant.
Environmental and Product Classification					
Shock (Endurance)	MIL-STD-202, Method 213, Condition J, 30 g 11 ms				
Sine Vibration (Endurance)	MIL-STD-202, Method 201 and 204, Condition A, except 5 g to 500 Hz, 1 sweep each axis				
Random Vibration (Endurance)	MIL-STD-202, Method 214, Condition I-D				
Humidity	MIL-STD-202, Method 103, Condition B, 100% rh				
Seal	MIL-STD-202, Method 112, Condition D				
Altitude	MIL-STD-202, Method 105, sea level to 30,000 ft				
Resistance to Soldering Heat	MIL-STD-202, Method 210, Condition A,B,C				
Terminal Strength	MIL-STD-202, Method 11, Condition C (5 bends at 45°, 2 lbs)				
Moisture Sensitive Level	1				
RoHS	6 (fully compliant) - no pure tin options available upon request, the device will be assigned a customer part number , not orderable through ordering codes				
Storage Temperature Range	-55		+125	°C	

Outline Drawing

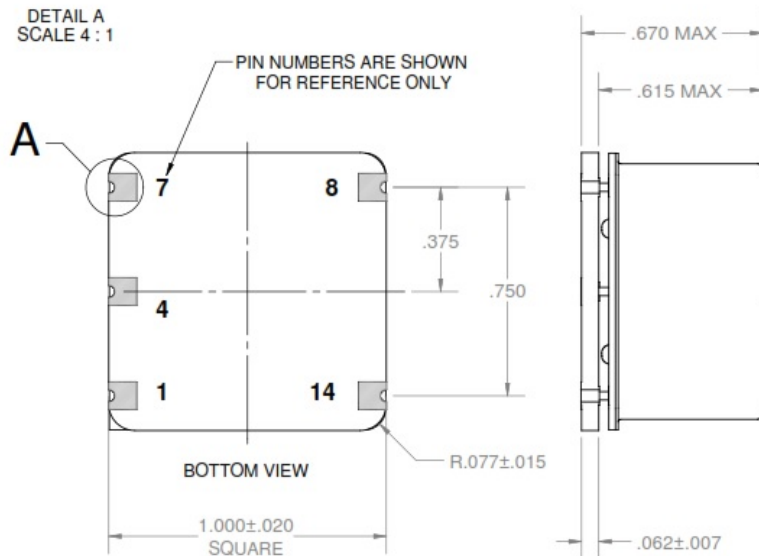
Dimensions in inches [mm]



Code	Height "H"	Pin Length "L" Min
0	15.0	6.2
Pin Connections		
1	RF Output	
2	Ground (Case)	
3	Electronic Frequency Control Input (EFC)	
4	Reference Voltage	
5	Supply Voltage Input (VS)	

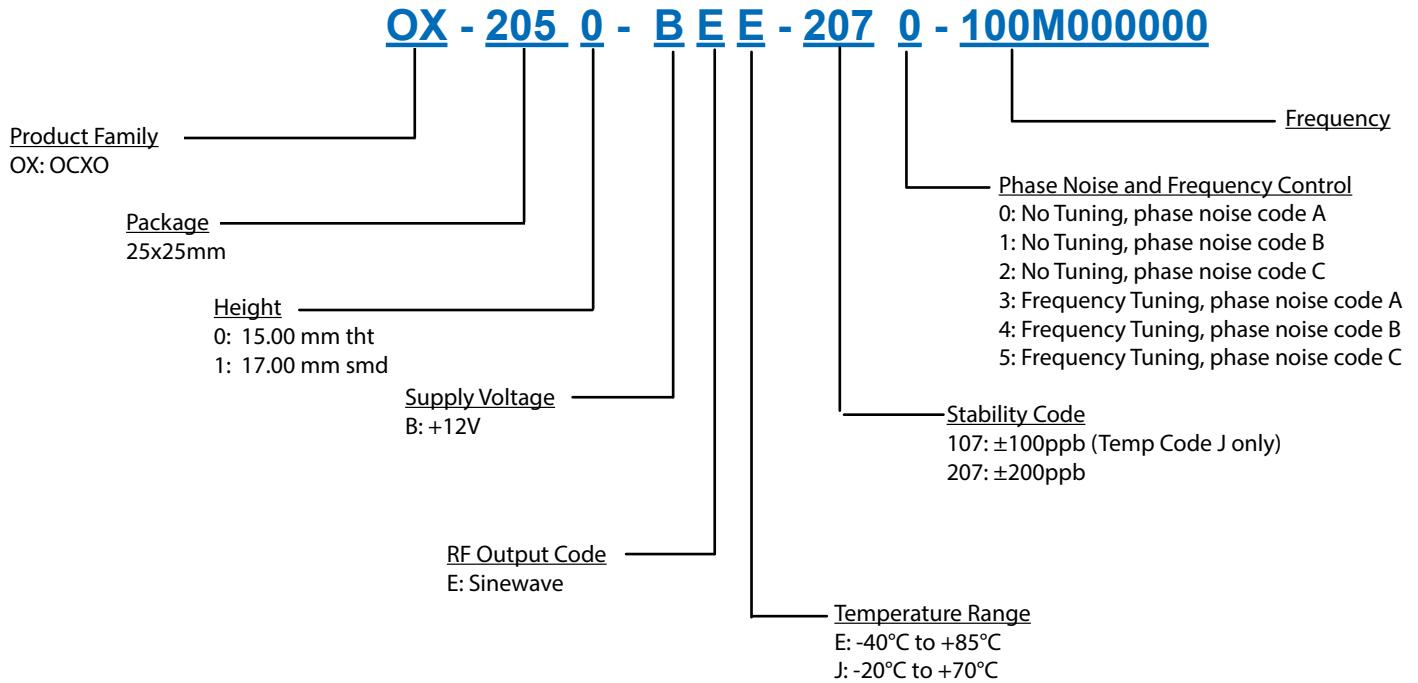


Dimensions in inches



Code	Height "H"	Pin Length "L" Min
1	17.0 mm	na
Pin Connections		
1	RF Output	
4	Ground (Case)	
7	Electronic Frequency Control Input (EFC) No Connect for Fixed frequency Oscillators	
8	Reference Voltage	
14	Supply Voltage Input (VS)	

Ordering Information



Notes:

1. Unless otherwise stated, all values are valid after warm-up time and refer to typical conditions for supply voltage, frequency control voltage, load, and temperature (25°C).
2. Contact factory for other frequencies. Phase noise degrades for frequencies greater than 100 MHz.
3. Subject to technical modification.
4. Contact factory for availability.

Contact Information

USA:

100 Watts Street
Mt Holly Springs, PA 17065
Tel: 1.717.486.3411
Fax: 1.717.486.5920

Europe:

Landstrasse
74924 Neckarbischofsheim
Germany
Tel: +49 (0) 7268.801.0
Fax: +49 (0) 7268.801.281



Information contained in this publication regarding device applications and the like is provided only for your convenience and may be superseded by updates. It is your responsibility to ensure that your application meets with your specifications. MICROCHIP MAKES NO REPRESENTATION OR WARRANTIES OF ANY KIND WHETHER EXPRESS OR IMPLIED, WRITTEN OR ORAL, STATUTORY OR OTHERWISE, RELATED TO THE INFORMATION INCLUDING, BUT NOT LIMITED TO ITS CONDITION, QUALITY, PERFORMANCE, MERCHANTABILITY OR FITNESS FOR PURPOSE. Microchip disclaims all liability arising from this information and its use. Use of Microchip devices in life support and/or safety applications is entirely at the buyer's risk, and the buyer agrees to defend, indemnify and hold harmless Microchip from any and all damages, claims, suits, or expenses resulting from such use. No licenses are conveyed, implicitly, or otherwise, under any Microchip intellectual property rights unless otherwise stated.

Trademarks

The Microchip and Vectron names and logos are registered trademarks of Microchip Technology Incorporated in the U.S.A. and other countries.