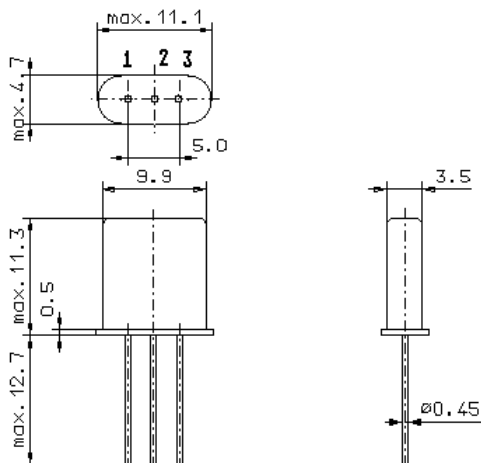


Specification for monolithic crystal filter:

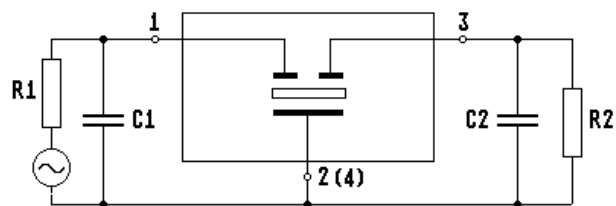
MQF 10.24-0200/01

1. General

1.1. Case:



GH3



- | | |
|-----------------------------------|-------------------|
| 1.2. Type name: | MQF 10.24-0200/01 |
| 1.3. Number of poles: | 2 |
| 1.4. Operating temperature range: | -20°C to +70°C |
| 1.5. Storage temperature range: | -45°C to +85°C |

2. Electric values

- | | |
|---|--|
| 2.1. Nominal centre frequency fo: | 10.24 MHz |
| 2.2. Pass band | |
| 2.2.1. Bandwidth between 3 dB - frequencies: | > fo ± 1.0 kHz |
| 2.2.2. Ripple: | < 1.0 dB at fo ± 0.6 kHz |
| 2.2.3. Insertion loss:
(measured on smallest attenuation in pass band) | < 3.5 dB |
| 2.3. Stop band | |
| 2.3.1. fo ± 18 kHz | > 40 dB |
| 2.3.2. Alternate Attenuation | > 35 dB (except spurious) |
| 2.4.1. Nomial input power level | +15 dBm |
| 2.4.2. Maximal input power level | +25 dBm |
| 2.5. Terminating impedance R//C (input and output): | 800 Ω // 15 pF |
| 3. Marking on the case: | manufacturer, date code
10.24-
0200/01 |
| 4. Environment conditions: | Corresponding to Telefilter CF001 |

Edited by: _____ date: _____ name: _____