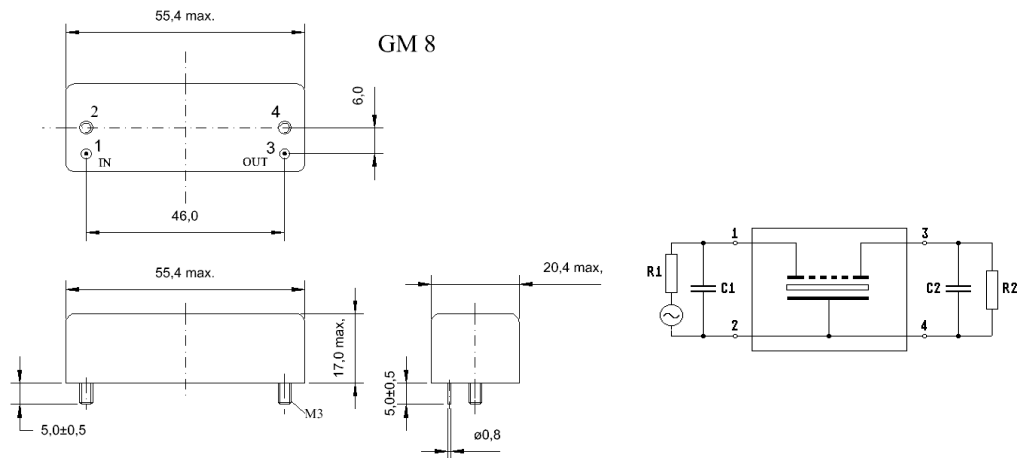


## Specification for monolithic crystal filter

**MQF 63.078-1200/03**
**1. General**

## 1.1. Package:



- |                                   |                             |
|-----------------------------------|-----------------------------|
| 1.2. Type name:                   | MQF 63.078-1200/03          |
| 1.3. Number of poles:             | 6, 3 <sup>rd</sup> overtone |
| 1.4. Operating temperature range: | 0°C to +75°C                |

**2. Electric values**

- |   |   |
|---|---|
| 2.1. Nominal centre frequency $f_0$ :                                       | 63.078 MHz                                    |
| 2.2. <b>Pass band</b>   |   |
| 2.2.1 Bandwidth between 1 dB - frequencies:                                 | $> \pm 6.0$ kHz                               |
| 2.2.2. Ripple:  | $< 1.0$ dB at $f_0 \pm 6.0$ kHz               |
| 2.2.3. Insertion loss:<br>( measured on smallest attenuation in pass band ) | $< 4.0$ dB                                    |
| 2.3. <b>Stop band</b>   |   |
| 2.3.1. $f_0 \pm 25$ kHz   | $> 60$ dB                                     |
| 2.3.2. Alternate attenuation $f_0 \pm 25 \dots 500$ kHz                     | $> 60$ dB                                     |
| 2.4. Terminating impedance ( input and output ):                            | $50 \Omega // 0$ pF                           |
| 2.5. Intermodulation  |   |
| 2.5.1 frequency 1:  | $f_0 \pm 30$ kHz                              |
| frequency 2:  | $f_0 \pm 60$ kHz                              |
| input power level   | - 10 dBm                                      |
| IM:   | $> 70$ dB                                     |
| 2.5.2 frequency 1:  | $f_0 + 1$ kHz                                 |
| frequency 2:  | $f_0 - 1$ kHz                                 |
| input power level   | - 9 dBm                                       |
| IM:   | $> 46$ dB                                     |
| 2.5.3 frequency 1:  | $f_0 + 1$ kHz                                 |
| frequency 2:  | $f_0 - 1$ kHz                                 |
| input power level   | -16 dBm, -26 dBm                              |
| IM:   | $> 51$ dB                                     |
| 3. Marking on the case:   | manufacturer, date code<br>MQF 63,078-1200/03 |
| 4. Environment conditions:  | Corresponding to Telefilter CF001             |