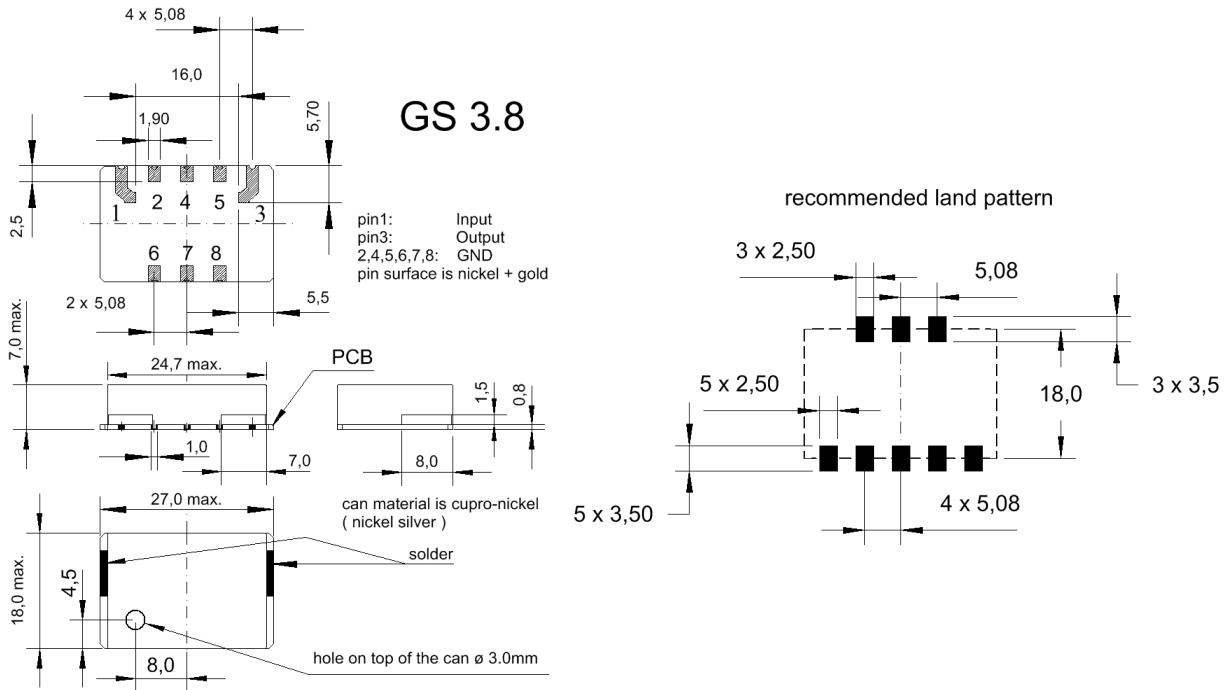


Specification for crystal filter:

QF 10.24-0006/01

1. General

1.1. Package:



- | | |
|---------------------------------------|------------------|
| 1.2. Type name: | QF 10.24-0006/01 |
| 1.3. Number of poles: | 2 |
| 1.4. Operating temperature range OTR: | -20°C to +70°C |
| 1.5. Storage temperature range: | -45°C to +85°C |

2. Electric values

- | | |
|-----------------------------------|-----------|
| 2.1. Nominal centre frequency fo: | 10.24 MHz |
|-----------------------------------|-----------|

2.2. Pass band

- | | |
|---|--------------------|
| 2.2.1. Centre frequency fc in OTR: | 10.24 MHz ± 250 Hz |
| 2.2.2. Bandwidth between 3 dB - frequencies: | ≥ fc ± 31 Hz |
| 2.2.3. Ripple in pass band: | Gaussian |
| 2.2.4. Insertion loss:
(measured on smallest attenuation in pass band) | ≤ 15 dB |

2.3. Stop band

- | | |
|-------------------------------|---------|
| 2.3.1. fc ± 270 Hz | ≥ 20 dB |
| 2.3.2. fc ± 1.0 kHz | ≥ 40 dB |
| 2.3.3. Alternate attenuation: | ≥ 65 dB |

- | | |
|--|--------------|
| 2.4. Terminating impedance (input and output): | 50 Ω // 0 pF |
|--|--------------|

- | | |
|-------------------------|---|
| 3. Marking on the case: | manufacturer, date code
QF 10.24-0006/01 |
|-------------------------|---|

- | | |
|----------------------------|-----------------------------------|
| 4. Environment conditions: | Corresponding to Telefilter CF001 |
|----------------------------|-----------------------------------|

Edited by: _____ date: _____ name: _____