

VI TELEFILTER**Filter Specification****TFS 70H25 1/5****Measurement condition**

Ambient temperature: 25 °C
 Input power level: 10 dBm
 Terminating impedances *:
 for input: 385Ω // -13,4 pF
 for output: 524Ω // -11,6 pF

Remark:

Reference level for the relative attenuation a_{rel} of the TFS 70H25 is the insertion loss. The insertion loss a_e is defined as the insertion loss at the nominal frequency f_n . The centre frequency f_c is the arithmetic mean value of the upper and lower frequencies at the 3 dB filter attenuation level relative to the insertion loss a_e . The temperature coefficient of frequency Tc_f is valid for both the reference frequency f_c and the frequency response of the filter on the operating temperature.

Data		typ. value		tolerance/limit	
Insertion loss (Reference level)	a_e	21,8	dB	max. 25,0	dB
Nominal frequency	f_n	-		70,0	MHz
Passband	PB			$f_n \pm 0,65$	MHz
Passband variation	p-p	0,45	dB	0,60	dB
1 dB bandwidth	BW	1,55	MHz	min. 1,30	MHz
3 dB bandwidth	BW	1,72	MHz	min. 1,50	MHz
40 dB bandwidth	BW	2,55	MHz	max. 2,80	MHz
Relative attenuation	a_{rel}				
$f_n \pm 0,75$ MHz				max. 3	dB
$f_n \pm 1,40$ MHz $f_n \pm 2,50$ MHz		45	dB	min. 40	dB
$f_n \pm 2,50$ MHz $f_n \pm 30$ MHz		52	dB	min. 50	dB
Phase linearity in PB		3	°	max. 6	°
Group delay variation in PB		160	ns	max. 200	ns
Temperature coefficient of frequency (Tc_f)		- 0.036	ppm/K ²		
Frequency deviation of f_c over temperature T:		$\Delta f_c(\text{Hz}) = Tc_f(\text{ppm/K}^2) \times (T - T_A)^2 \times f_{CAT}(\text{MHz})$			
Operating temperature				25	°C
Storage temperature range				- 25..... + 85	°C

*) The terminating impedances depend on parasitics and q-values of matching elements and the board used, and are to be understood as reference values only. Should there be additional questions do not hesitate to ask for an application note or contact our design team.

Generated:

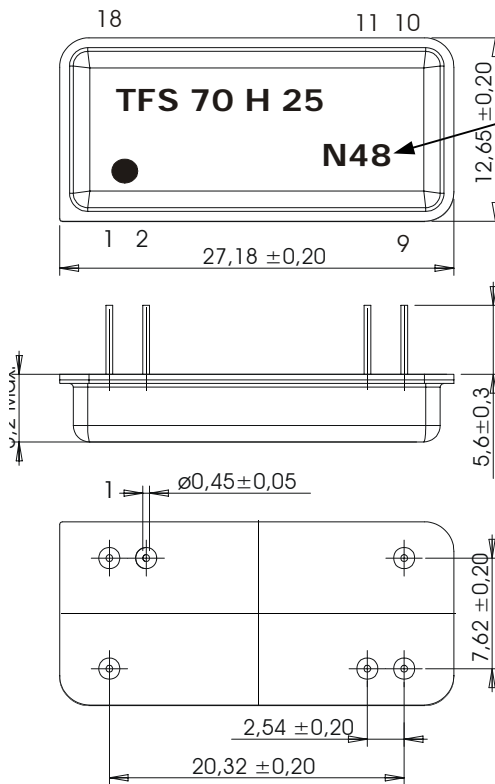
Checked / approved:

VI TELEFILTER
 Potsdamer Straße 18
 D 14 513 TELTOW / Germany
 Tel: (+49) 3328 4784-0 / Fax: (+49) 3328 4784-30
 E-Mail: tft@telefilter.com

Vectron International, Inc.
 267 Lowell Road
 Hudson, NH 03051 / USA
 Tel: (603) 598-0070 Fax: (603) 598-0075
 E-Mail: vti@vtinh.com

VI TELEFILTER reserves the right to make changes to the product(s) and/or information contained herein without notice. No liability is assumed as a result of their use or application. No rights under any patent accompany the sale of any such product(s) or information.

Construction, pin configuration and 50 Ω - matching network
(All dimensions in inch)

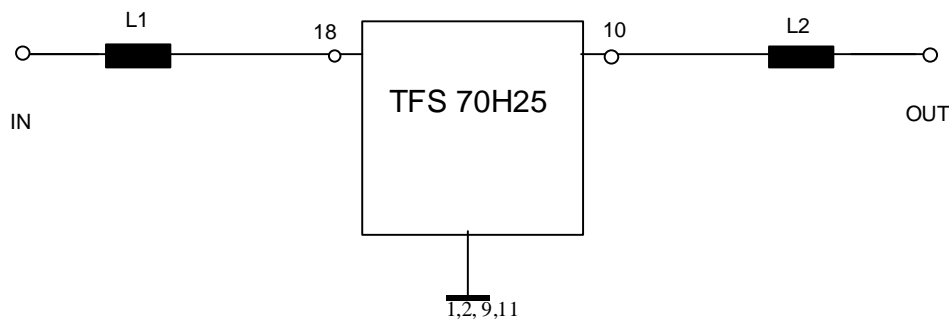


Date code: Year+week
 M 2000
 N 2001
 P 2002

Pin Configuration

Input: 18
 Input Return: 1
 Output: 10
 Output Return: 9
 Ground: 2,11

50 Ohm test circuit



VI TELEFILTER
 Potsdamer Straße 18
 D 14 513 TELTOW / Germany
 Tel: (+49) 3328 4784-0 / Fax: (+49) 3328 4784-30
 E-Mail: tft@telefilter.com

Vectron International, Inc.
 267 Lowell Road
 Hudson, NH 03051 / USA
 Tel: (603) 598-0070 Fax: (603) 598-0075
 E-Mail: vti@vtinh.com

VI TELEFILTER reserves the right to make changes to the product(s) and/or information contained herein without notice. No liability is assumed as a result of their use or application. No rights under any patent accompany the sale of any such product(s) or information.

Stability characteristics

After the following tests the filter shall meet the whole specification:

1. Shock: 500g, 18 ms, half sine wave, 3 shocks each plane;
DIN IEC 68 T2 - 27
2. Vibration: 10 Hz to 500 Hz, 1,5 mm or 5g respectively, 1 octave per min, 10 cycles per plan, 3 plans;
DIN IEC 68 T2 - 6
3. Change of temperature: -55 °C to 125°C / 30 min. each / 10 cycles
DIN IEC 68 part 2 – 14 Test N
4. Resistance to solder heat (reflow): max. 2 times reflow process;
for temperature conditions refer to the attached "Air reflow temperature conditions" on page 4;

Air reflow temperature conditions

1st and 2nd air reflow profile

Name:	pre-heating periods	main-heating periods	peak temperature
Temperature:	150 °C - 170 °C	over 200 °C	255 °C ± 5 °C
Time:	60 sec. - 90 sec.	20 sec. - 25 sec.	

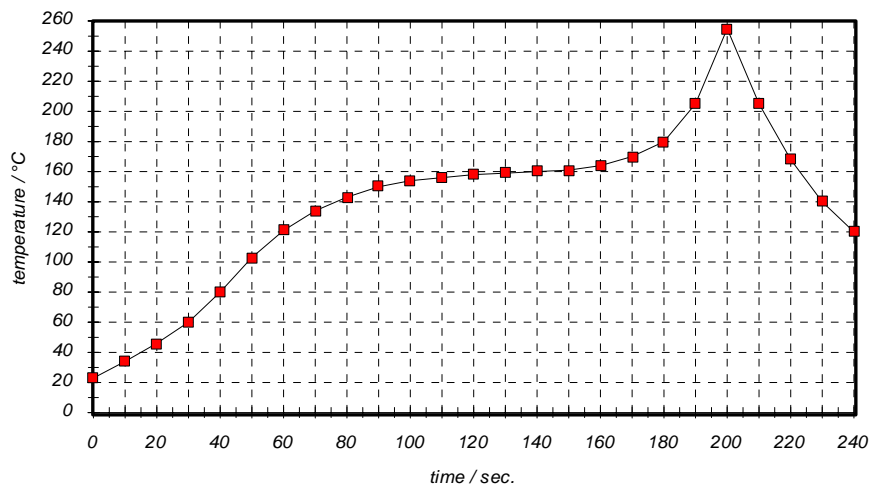
Chip-mount air reflow profile

Table for temperature vs. time during the air reflow process

Tolerance of temperatures: ± 5 °C

time / sec.	temperature / °C	time / sec.	temperature / °C
0	23	140	160
10	34	150	161
20	46	160	164
30	60	170	170
40	80	180	180
50	103	190	205
60	121	195	230
70	134	200	255
80	143	205	230
90	150	210	205
100	154	215	180
110	156	220	165
120	158	230	140
130	159	240	120

VI TELEFILTER**Filter Specification****TFS 70H25 5/5****History**

version	reason of changes	name	date
1.0	generate specification	Pfeiffer	22.03.2001
1.1	terminated impedances added	Pfeiffer	12.04.2001
1.2	package changed	Pfeiffer	27.11.2001
1.3	pin configuration changed	Pfeiffer	03.01.2002

VI TELEFILTER
Potsdamer Straße 18
D 14 513 TELTOW / Germany
Tel: (+49) 3328 4784-0 / Fax: (+49) 3328 4784-30
E-Mail: tft@telefilter.com

Vectron International, Inc.
267 Lowell Road
Hudson, NH 03051 / USA
Tel: (603) 598-0070 Fax: (603) 598-0075
E-Mail: vti@vtinh.com

VI TELEFILTER reserves the right to make changes to the product(s) and/or information contained herein without notice. No liability is assumed as a result of their use or application. No rights under any patent accompany the sale of any such product(s) or information.