


Table 1. Electrical Performance

Parameter	Symbol	Min.	Typ	Max	Units
Nominal Frequency	F_{NOM}	1.8432		150.000	MHz
Mode		Fundamental, 3rd Overtone			
Operating Temperature Range	T_{OP}	0/70, -10/70, -20/70, -40/85			°C
Stability Over T_{OP}^1	F_{STAB}	±10		±100	ppm
Frequency Tolerance ²	F_{TOL}		±10	±20	ppm
Load Capacitance	C_L	6		32	pF
Shunt Capacitance	C_o			5	pF
Drive Level			10	100	uW
Aging / 1st year (at 25 °C)	F_{AGE}			±5	ppm
Insulation Resistance		500			MOhm
Storage Temperature	T_{STO}	-40		90	°C
Equivalent Series Resistance					
Crystal Frequency	ESR				Ohm
1.536MHz-2.000MHz				500	
2.001MHz-2.456MHz				450	
2.457MHz-3.000MHz				350	
3.001MHz-4.000MHz				90	
4.001MHz-5.000MHz				70	
5.001MHz-8.000MHz				60	
8.001MHz-10.000MHz				30	
10.001MHz-50.000MHz, fundamental				25	
24.000MHz-150.000MHz, 3rd Overtone				40	

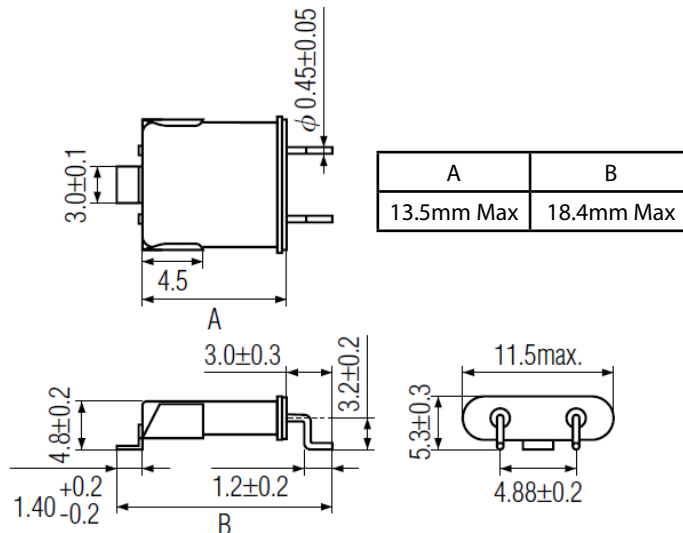
Notes:

1. Referenced to the Frequency at 25 °C.

2. Frequency measured at 25 °C ± 3 °C.

Product is compliant to RoHS directive and fully compatible with lead free assembly. 

Package Drawing



Weight 1000 mg

Ordering Information

VXA7 - XXX - XX- xxMxxxxxxx

Product

VXA7: 13.5mm tall
Gull Lead crystal

Mode

1: Fundamental
3: 3rd Overtone

Temp Stability

D: 15ppm
E: 20ppm
F: 25ppm
G: 30ppm
H: 35ppm
I: 40ppm
J: 45ppm
K: 50ppm
S: 100ppm

Frequency in MHz

Load Capacitance

00: Series Resonance
06-32pF

Operating Temperature

E: -40 to 85 °C
J: -20 to 70 °C
W: -10 to 70 °C
T: 0 to 70 °C

**Note: not all combination of options are available.
Other specifications may be available upon request.*

15ppm stability not available for -40 to 85°C

Revision History

Revision Date	Approved	Description
August 30, 2016	RC	Initial datasheet for factory approval and release to customer.
August 10, 2018	FB	Update logo and ordering information
June 10, 2019	FB	Update logo and contact information

**Previous Ordering Information for Reference Only
Do Not Use to Build a New Part Number**

VXA7-1A2-10M000

Package VXA1: HC-49U 13.5mm tall, gull wing	Frequency
Mode 1 : Fundamental 3: 3rd Overtone 5: 5th Overtone	Load Capacitance 0: Series Resonant 1: 16 pf 2: 20 pf 3: 32 pf 4: 18 pf 5: 10 pF 6: 30 pf
Stability A: ±100 ppm over -20° C to 70° C B: ±50 ppm over -20° C to 70° C C: ±100 ppm over -40° C to 85° C D: ±50 ppm over -40° C to 85° C E: ±25 ppm over -20° C to 70° C F: ±30 ppm over -20° C to 70° C	

The ordering codes for the VXA7 were changed in 2016. If you had ordered a specific code based off this ordering method, it is still available for purchase under the old code however no new part numbers will be created using this system.

Due to the change in the 8th character from numeric to alphabetic, there is no opportunity for overlap between the two ordering methods.

Contact Information

USA:

100 Watts Street
Mt Holly Springs, PA 17065
Tel: 1.717.486.3411
Fax: 1.717.486.5920

Europe:

Landstrasse
74924 Neckarbischofsheim
Germany
Tel: +49 (0) 7268.801.0
Fax: +49 (0) 7268.801.281



Information contained in this publication regarding device applications and the like is provided only for your convenience and may be superseded by updates. It is your responsibility to ensure that your application meets with your specifications. MICROCHIP MAKES NO REPRESENTATION OR WARRANTIES OF ANY KIND WHETHER EXPRESS OR IMPLIED, WRITTEN OR ORAL, STATUTORY OR OTHERWISE, RELATED TO THE INFORMATION INCLUDING, BUT NOT LIMITED TO ITS CONDITION, QUALITY, PERFORMANCE, MERCHANTABILITY OR FITNESS FOR PURPOSE. Microchip disclaims all liability arising from this information and its use. Use of Microchip devices in life support and/or safety applications is entirely at the buyer's risk, and the buyer agrees to defend, indemnify and hold harmless Microchip from any and all damages, claims, suits, or expenses resulting from such use. No licenses are conveyed, implicitly, or otherwise, under any Microchip intellectual property rights unless otherwise stated.

Trademarks

The Microchip and Vectron names and logos are registered trademarks of Microchip Technology Incorporated in the U.S.A. and other countries.