

Helping Customers Innovate, Improve &amp; Grow


**OX-046**
**Features**

- Ultra Low G-Sensitivity
- Low Phase Noise
- Very High Frequency
- Frequency Range: 50 MHz to 250 MHz
- Standard Frequency: 100 MHz
- Vibration Compensation

**Applications**

- Military Avionics
- Airborne Radar
- Test Equipment
- Frequency Synthesizers
- Position Location
- Satellite Communications

**Performance Specifications**

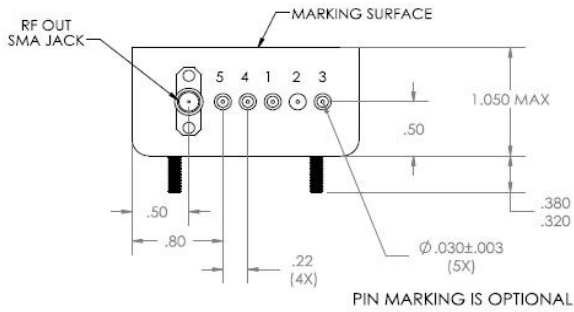
Parameter	Min	Typ	Max	Units	Condition
Available Frequencies					
Frequency Range	50		250	MHz	
G-Sensitivity Performance					
standard crystal			1.5	ppb/g	
g-Sensitivity w\ Low g-Crystal			0.5	ppb/g	
g-Sensitivity w\ Low g-Crystal & Vibration compensation			0.05	ppb/g	Degrades to 0.5 ppb/g above 250 Hz
(No mechanical resonances out to 2KHz)					G sensitivity specified per axis
For oscillators with 0.2 ppb/g out to 2 KHz please contact factory.					
Frequency Stabilities <sup>1</sup>					
(Stabilities listed for 100 MHz. For Stabilities above 100 MHz values may degrade. Please contact factory.)					
vs. Operating Temperature Range (referenced to +25°C)	-200 -150 -100 -50		+200 +150 +100 +50	ppb ppb ppb ppb	-40... +85°C -40... +70°C -20... +70°C 0... +70°C
Initial Tolerance	-500		+500	ppb	at time of shipment, nominal EFC
vs. Supply Voltage Change	-10		+10	ppb	Vs ± 5%
vs. Load Change	-10		+10	ppb	Load ± 5%
vs. Aging / Daily	-5		+5	ppb	after 30 days operation
vs. Aging / 1 <sup>st</sup> Year	-200		+200	ppb	after 30 days operation
vs. Aging / 10 Year	-1.5		+1.5	ppm	after 30 days operation
Retrace <sup>2</sup>	-200		+200	ppb	
Warm-up Time			5	minutes	to ± 100ppb of final frequency (2 hour reading) @ +25°C

## Performance Specifications

Parameter	Min	Typ	Max	Units	Condition
<b>Supply Voltage (Vs)</b>					
Supply voltage	14.25	15.0	15.75	VDC	ordering code A
	11.4	12.0	12.6	VDC	ordering code B
Oven Power Consumption			10.0	Watts	during warm-up all temperatures
			3.8	Watts	steady state @ +25°C
			7.0	Watts	steady state @ -40°C
			1.0	Watts	steady state @ +85°C
<b>RF Output</b>					
Start Time		1	2	s	time required to achieve 90% of amplitude
Signal	Sinewave				
Load		50		Ohm	
Output Power	+7.0	+10	+13	dBm	
Harmonics			-30	dBc	
Subharmonics			-30	dBc	for oscillator with output frequency > 120 MHz
<b>Frequency Tuning (EFC)</b>					
Tuning Range	±2.0		±3.0	ppm	Electronic frequency control
Linearity			20	%	
Tuning Slope	Positive				
Control Voltage Range	0.0	+5.0	+10.0	VDC	
Input Resistance	15			kOhm	
Modulation Bandwidth	150			Hz	
<b>Phase Noise</b>					
Phase Noise <sup>3</sup> (@ 100 MHz) (under static conditions - no vibration)			-100	dBc/Hz	10 Hz
			-130	dBc/Hz	100 Hz
			-150	dBc/Hz	1 KHz
			-165	dBc/Hz	10 KHz
			-175	dBc/Hz	100 KHz
Phase Noise <sup>3</sup> (@ 200 MHz) (under static conditions - no vibration)			-90	dBc/Hz	10 Hz
			-120	dBc/Hz	100 Hz
			-140	dBc/Hz	1 KHz
			-155	dBc/Hz	10 KHz
			-165	dBc/Hz	100 KHz

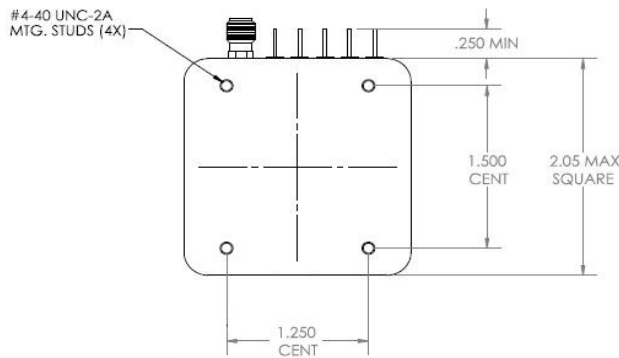
Parameter	Min	Typ	Max	Units	Condition
<b>Additional Parameters<sup>1</sup></b>					
Weight			150	g	
<b>Absolute Maximum Ratings</b>					
Supply voltage (Vs)			28	V	
Output Load	25		open	ohm	
Operable Temperature Range	-55		+85	°C	
<b>Environmental Specifications</b>					
Shock (Operating)	MIL-STD-202, Method 213, Condition J, 30G, 11ms, half sine				
Shock (Endurance)	Mil-STD-202, Method 213, Condition C, 100G, 6ms, half sine				
Sine Vibration (Operating)	Mil-STD-202, Method 204, Condition C, 10 G				
Sine Vibration (Endurance)	Mil-STD-202, Method 204, Condition D, 20 G				
Random Vibration (Operating)	Mil-STD-202, Method 214, Condition I-C, 9.26 Grms, 3-5min/axis (without vibe comp) Mil-STD-202, Method 214, Condition I-A, 5.35 Grms, 3-5min/axis (with vibe comp)				
Random Vibration (Endurance)	Mil-STD-202, Method 214, Condition I-D, 11.95 Grms, 3hrs/axis				
Seal	Nonhermetic - Mil-STD-202, Method 112, Condition D available only as custom part number - please contact factory				
Humidity	MIL-STD-202, Method 103, Condition B, 90% rh				
Altitude	MIL-STD-202, Method 105, sea level to 30,000 ft				
Resistance to Soldering Heat	MIL-STD-202, Method 210, Condition A,B,C				
RoHS	not RoHS compliant				
Terminal Strength	MIL-STD-202, Method 211, Condition C (5 bends at 45°, 2 lbs)				
Moisture Sensitivity Level	1				
Storage Temperature Range	-55		+125	°C	

# Outline Drawing / Enclosure

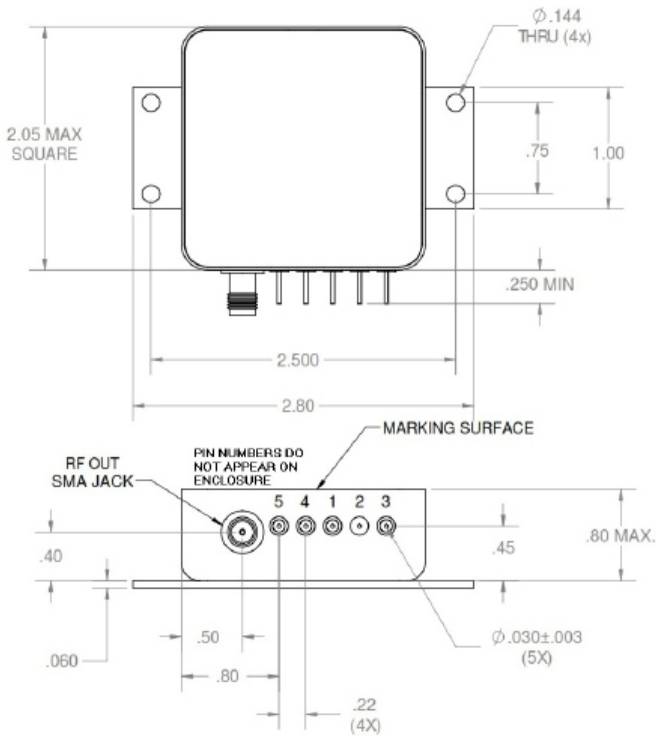


Dimensions in inches

Package configuration A		
ordering code	Height "H"	
5	0.80	
0	1.05	



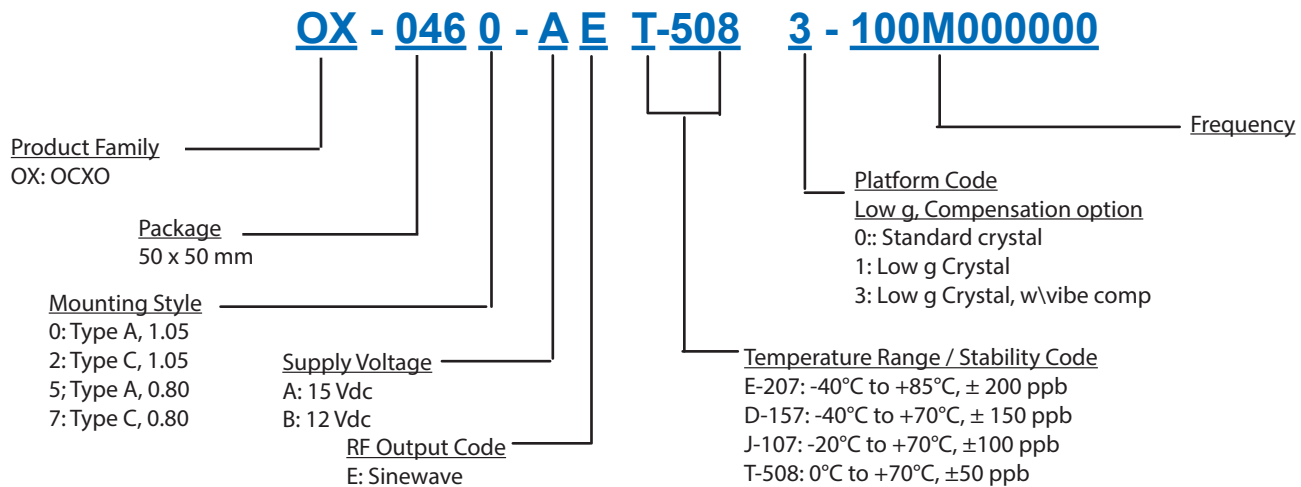
Pin Connections	
1	Electronic Frequency Control (EFC)
2	Ground (Case)
3	Supply Voltage
4	Microsemi Internal Use Only / NC
5	Microsemi Internal Use Only / NC



Package configuration C		
ordering code	Height "H"	
7	0.80	
2	1.05	

Pin Connections	
1	Electronic Frequency Control (EFC)
2	Ground (Case)
3	Supply Voltage
4	Microsemi Internal Use Only / NC
5	Microsemi Internal Use Only / NC

## Ordering Information<sup>4</sup>



## Additional Ordering Options

Additional ordering options available include custom temperature ranges, custom temperature stabilities, custom phase noise requirements, low profile, custom supply voltage, hermetic option and improved g-sensitivity. These modifications require a custom dash number - please contact the factory for additional information.

### Notes:

1. Unless otherwise stated, all values are valid after warm-up time and refer to typical conditions for supply voltage, frequency control voltage, load, and temperature (25°C).
2. Retrace is defined as the frequency difference between the end of two 24 hour on power periods with a 24 hour off period in between while at a constant temperature.
3. Phase noise degrades with increasing output frequency.
4. Not all options and codes available at all frequencies.



Microsemi, a wholly owned subsidiary of Microchip Technology Inc. (Nasdaq: MCHP), offers a comprehensive portfolio of semiconductor and system solutions for aerospace & defense, communications, data center and industrial markets. Products include high-performance and radiation-hardened analog mixed-signal integrated circuits, FPGAs, SoCs and ASICs, power management products, timing and synchronization devices and precise time solutions, setting the world's standard for time, voice processing devices, RF solutions, discrete components, enterprise storage and communication solutions, security technologies and scalable anti-tamper products, Ethernet solutions, Power-over-Ethernet ICs and midspans, as well as custom design capabilities and services. Learn more at [www.microsemi.com](http://www.microsemi.com).

**Microsemi Headquarters**  
One Enterprise, Aliso Viejo, CA 92656 USA  
Within the USA: +1 (800) 713-4113  
Outside the USA: +1 (949) 380-6100  
Sales: +1 (949) 380-6136  
Fax: +1 (949) 215-4996  
email: [sales.support@microsemi.com](mailto:sales.support@microsemi.com)  
[www.microsemi.com](http://www.microsemi.com)

Microsemi makes no warranty, representation, or guarantee regarding the information contained herein or the suitability of its products and services for any particular purpose, nor does Microsemi assume any liability whatsoever arising out of the application or use of any product or circuit. The products sold hereunder and any other products sold by Microsemi have been subject to limited testing and should not be used in conjunction with mission-critical equipment or applications. Any performance specifications are believed to be reliable but are not verified, and Buyer must conduct and complete all performance and other testing of the products, alone and together with, or installed in, any end-products. Buyer shall not rely on any data and performance specifications or parameters provided by Microsemi. It is the Buyer's responsibility to independently determine suitability of any products and to test and verify the same. The information provided by Microsemi hereunder is provided "as is, where is" and with all faults, and the entire risk associated with such information is entirely with the Buyer. Microsemi does not grant, explicitly or implicitly, to any party any patent rights, licenses, or any other IP rights, whether with regard to such information itself or anything described by such information. Information provided in this document is proprietary to Microsemi, and Microsemi reserves the right to make any changes to the information in this document or to any products and services at any time without notice.

©2018 Microsemi, a wholly owned subsidiary of Microchip Technology Inc. All rights reserved. Microsemi and the Microsemi logo are registered trademarks of Microsemi Corporation. All other trademarks and service marks are the property of their respective owners.