



Helping Customers Innovate, Improve & Grow

Search

[XOs](#) > [CO-441](#)

CO-441 HCMOS, AC MOS and FCT Clock Oscillators



Features:

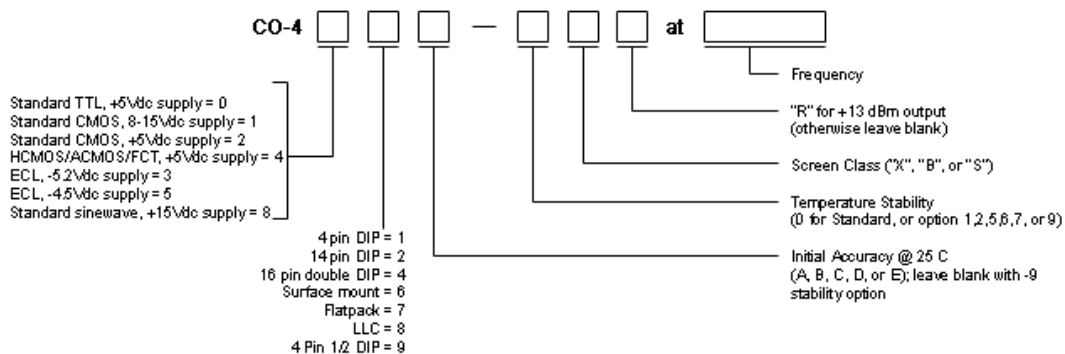
- 1 Hz to 200 MHz Frequency Range
- Low Profile 4 Pin Dip
- HCMOS/ACMOS/FCT/ACT Compatible
- Tri-state Output Available
- Available with 3.3 Vdc input below 20 MHz
- Available as QPL to MIL-0-55310/18B&26B

SPECIFICATIONS	
Series	CO-441: 4 Pin Dip
Frequency	1 Hz-200 MHz
Supply	5 Vdc ± 5% (Available with 3.3 Vdc input below 20 Mhz)
Accuracy (Maximum Error at 25°C)	CO-441A ±50 ppm CO-441C ±25 ppm CO-441D ±15 ppm CO-441B ±10 ppm CO-441E ±1 ppm* *Settability via external capacitor: (<60 MHz only)
Temperature Stability <small>Improved accuracy/stability available on some models. For example, for ±7 ppm over 0°C to +50°C and for ±10ppm over 0°C to +70°C. Improvement is also available over wider temperature ranges. Please contact factory.</small>	STANDARD: 0°C to +70°C: ±25 ppm Option 1: -55°C to +85°C: ±50 ppm Option 2: -55°C to +125°C: ±50 ppm Option 5: 0°C to +50°C: ±5 ppm Option 6: 0°C to +50°C: ±10 ppm Option 7: -55°C to +125°C: ±100 ppm *Option 9: -55°C to +200°C: ±300 ppm (Option 9: above 20 MHz in CO-440 Series *Specified stability includes initial accuracy; do not specify A,B,C,D or E accuracy.)
Aging Rate (typical after 30 days)	3 ppm first year 2 ppm/year thereafter

[top of page](#)

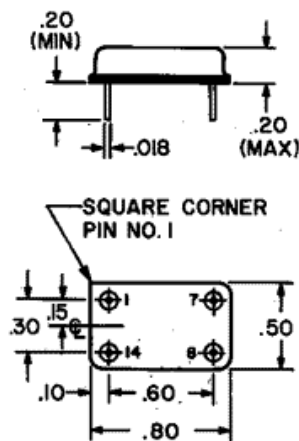
How to Order Hybrid XO's - CO-400 Series

(Note: Not all combinations possible. See above for appropriate options.)



SCREEN TESTING OF ABOVE MODELS					
SCREEN TEST	MIL-STD-883 METHOD	Standard Options			
		CLASS X	CLASS D	CLASS B	CLASS S
Stabilization Bake (150°C)	—	X	X	X	Class S screen test requirements include 24 hour additional bake-out, 80 hour additional burn-in, thermal shock, PIND test and radiographic inspection in addition to Class B Screening. Has major cost impact.
Seal Test (Gross and Fine)	1014, Cond A2	X	X	X	
Temperature Cycling (Thermal Shock)	1010, Cond B		X	X	
Burn-in, operating 160 hours @125°C	—		X	X	
Acceleration (5000g in Y ₁ axis)	2001, Cond A			X	

[top of page](#)



Dimension in inches

Pinouts

Pin	Function
1	*N/C
7	OV, case, gnd
8	Output
14	Supply +
Other	N/C

[top of page](#)

Copyright © 1997-2009 by Vectron International, Inc., [A Dover Company](#).
 Vectron International's [Terms and Conditions](#).
 The most recent change to this page occurred 02/11/2009